

MALICOAT - WINSLOW ENGINEERS, P.C.
 MISSOURI STATE CERTIFICATE OF AUTHORITY #000021
 5649 N. CLEARVIEW ROAD
 COLUMBIA, MISSOURI 65202
 TEL 573-875-1300
 FAX 573-875-1305
 FREDDIE MALICOAT, P.E.

JOINT COMMUNICATIONS
 2600 BATTLE AVENUE
 COLUMBIA, BOONE COUNTY, MISSOURI, 65202

CONTRACTOR SHALL CHECK & VERIFY ALL DIMENSIONS & CONDITIONS AT JOB SITE.
 DATE: 06-29-15
 REVISIONS:
 10-20-15
 TITLE: MECHANICAL/ELECTRICAL PLAN
 SHEET: ME1 OF ME1
 PROJECT: 15171

ELECTRICAL SYMBOL SCHEDULE

	P2-22,24 HOME RUN CIRCUIT TO PANEL P2, CIRCUITS 22,24
	EACH ARROW INDICATES ONE CIRCUIT
	SHORT HATCH MARKS INDICATE # OF PHASE CONDUCTORS
	LONG HATCH MARKS INDICATE # OF NEUTRAL CONDUCTORS
	NO HATCH MARK INDICATES TWO CONDUCTORS
	ELECTRICAL SERVICE OR FEEDER WIRING
	WIRING IN WALL OR CEILING - WIRING IN FLOOR
	RECEPTACLE OUTLET (DUPLEX - QUADRUPLUX - SPLIT WIRED - SPECIAL POWER)
	COMMUNICATIONS OUTLET (TELEPHONE - CATV - DATA/PHONE)
	WALL SWITCH SINGLE POLE (3-WAY - DIMMER - 4-WAY - PILOT - SPEED - KEYED - TIMER)
	INCANDESCENT OR HID LIGHT FIXTURE (CEILING MOUNTED - WALL MOUNTED)
	FLUORESCENT LIGHT FIXTURE (ENCLOSED - STRIP) (S INDICATES SPLIT WIRED)
	EXIT LIGHT - EMERGENCY LIGHT - EMERGENCY/EXIT LIGHT
	CLOCK RECEPTACLE
	ELECTRIC PANEL
	SPEAKER - PUSH TO TALK
	JUNCTION BOX - PULL BOX
	DISCONNECT (FUSED - NONFUSED)
	STARTER
	OUTLET (MOUNT HEIGHT INCHES - GF1 PROTECTED - WEATHER PROOF GF1)

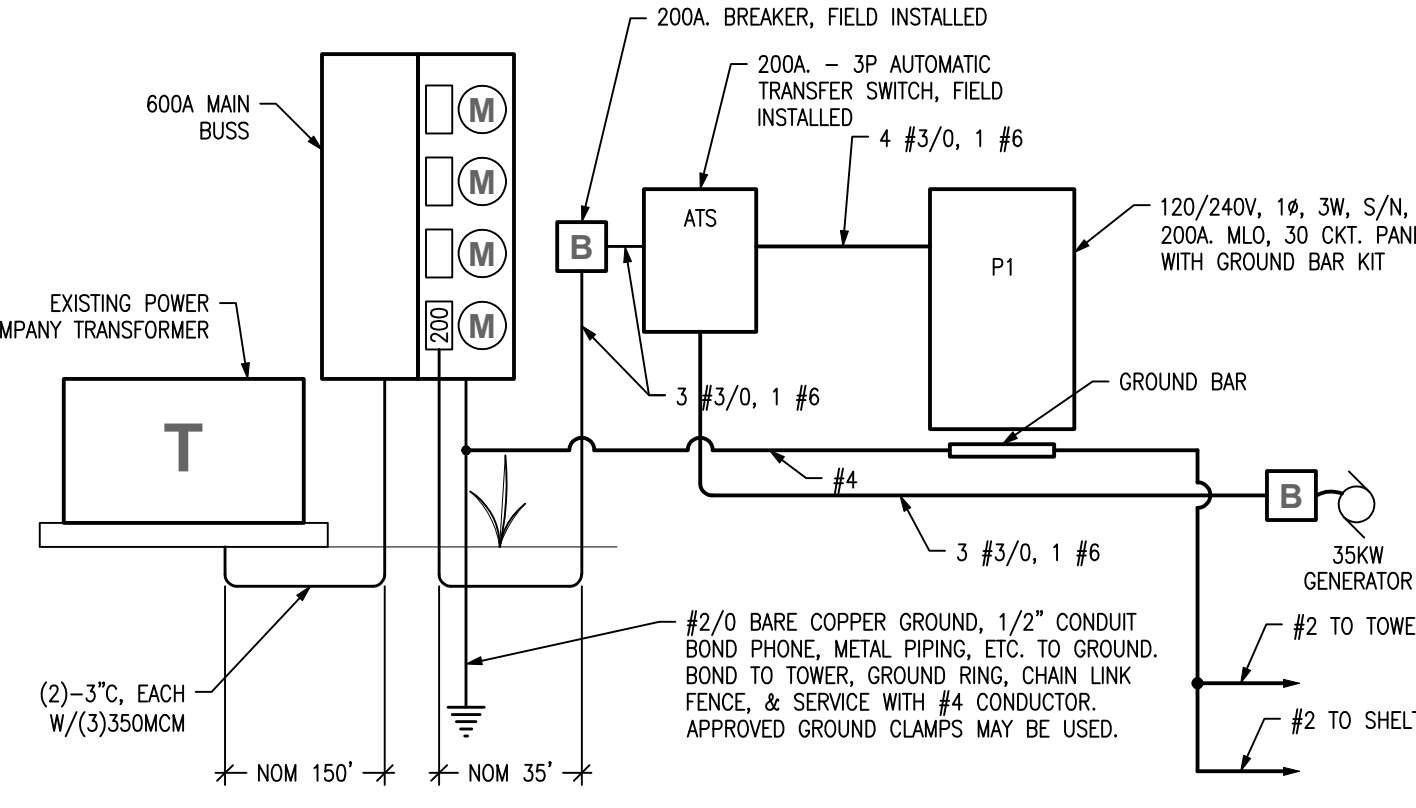
MECHANICAL SYMBOL SCHEDULE

	GAS PIPING
	PIPE FITTINGS (ELL DOWN - TEE DOWN - TEE UP)
	VALVE - CHECK VALVE
	UNION - STRAINER
	GAS COCK - BALANCING COCK

P1

VOLTS	120/240	MAIN CAPACITY	200A MLO	A WATTS	6,980
PHASE	1	BUS MATERIAL		B WATTS	6,440
WIRE	3	MOUNTING			
AC		SQUARE D MODEL		TOTAL WATTS	13,420

CIRC	LOCATION / DESCRIPTION	BRKR	WATTS	W	WATTS	BRKR	LOCATION / DESCRIPTION	CIRC
1	RECEPTACLES	20-1	1,080	A	2,500	35-2	BARO 3 TON W/SKW HEAT	2
3	RECEPTACLES	20-1	720	B	2,500	---	---	4
5	LIGHTS	20-1	360	A	2,500	35-2	BARO 3 TON W/SKW HEAT	6
7	RECEPTACLE	20-1	180	B	2,500	---	---	8
9	RECEPTACLE	20-1	540	A	0	---	---	10
11	RECEPTACLE	20-1	540	B	0	---	---	12
13			0	A	0	---	---	14
15			0	B	0	---	---	16
17			0	A	0	---	---	18
19			0	B	0	---	---	20
21			0	A	0	---	---	22
23			0	B	0	---	---	24
25			0	A	0	---	---	26
27			0	B	0	---	---	28
29			0	A	0	---	---	30

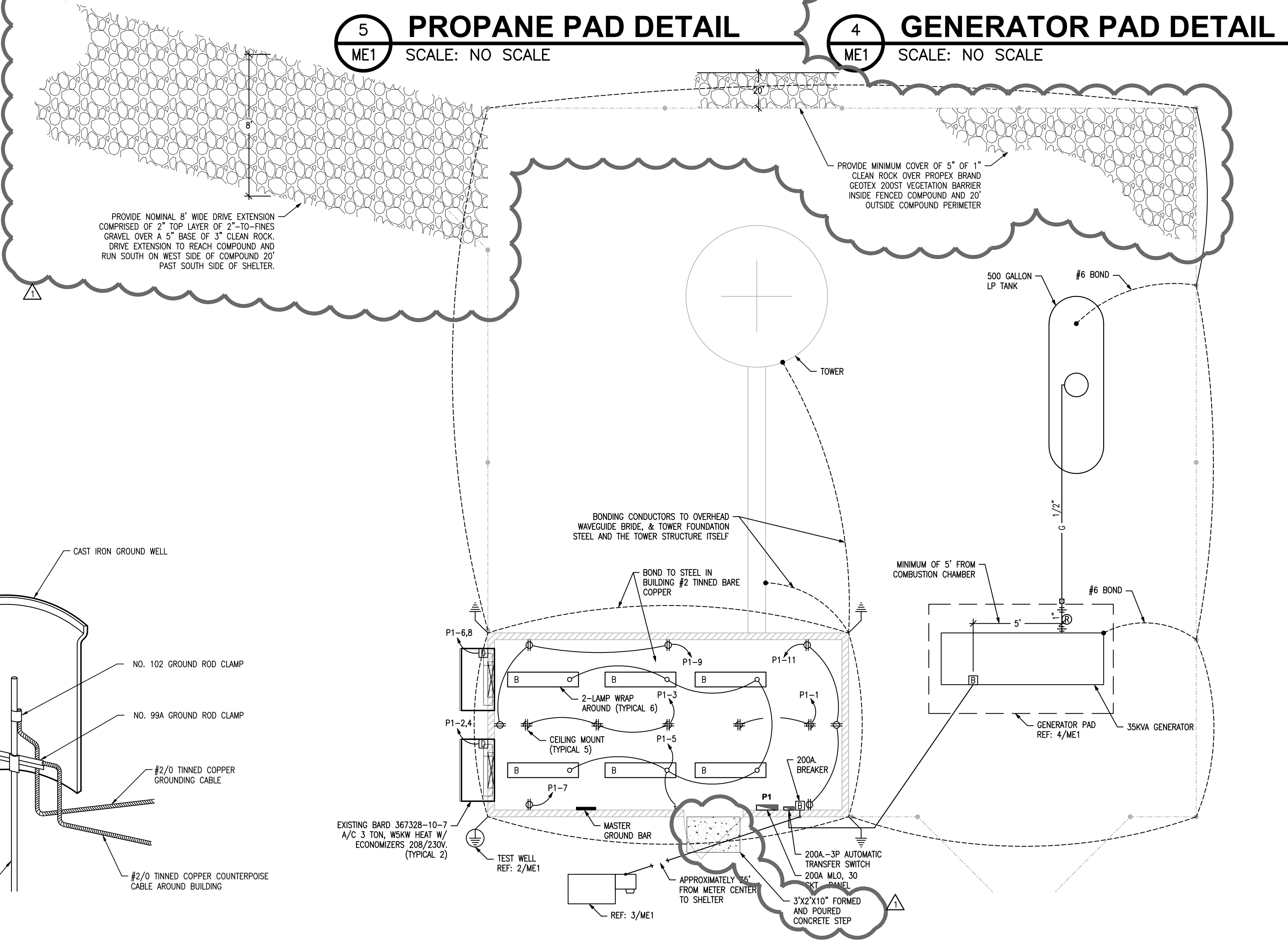
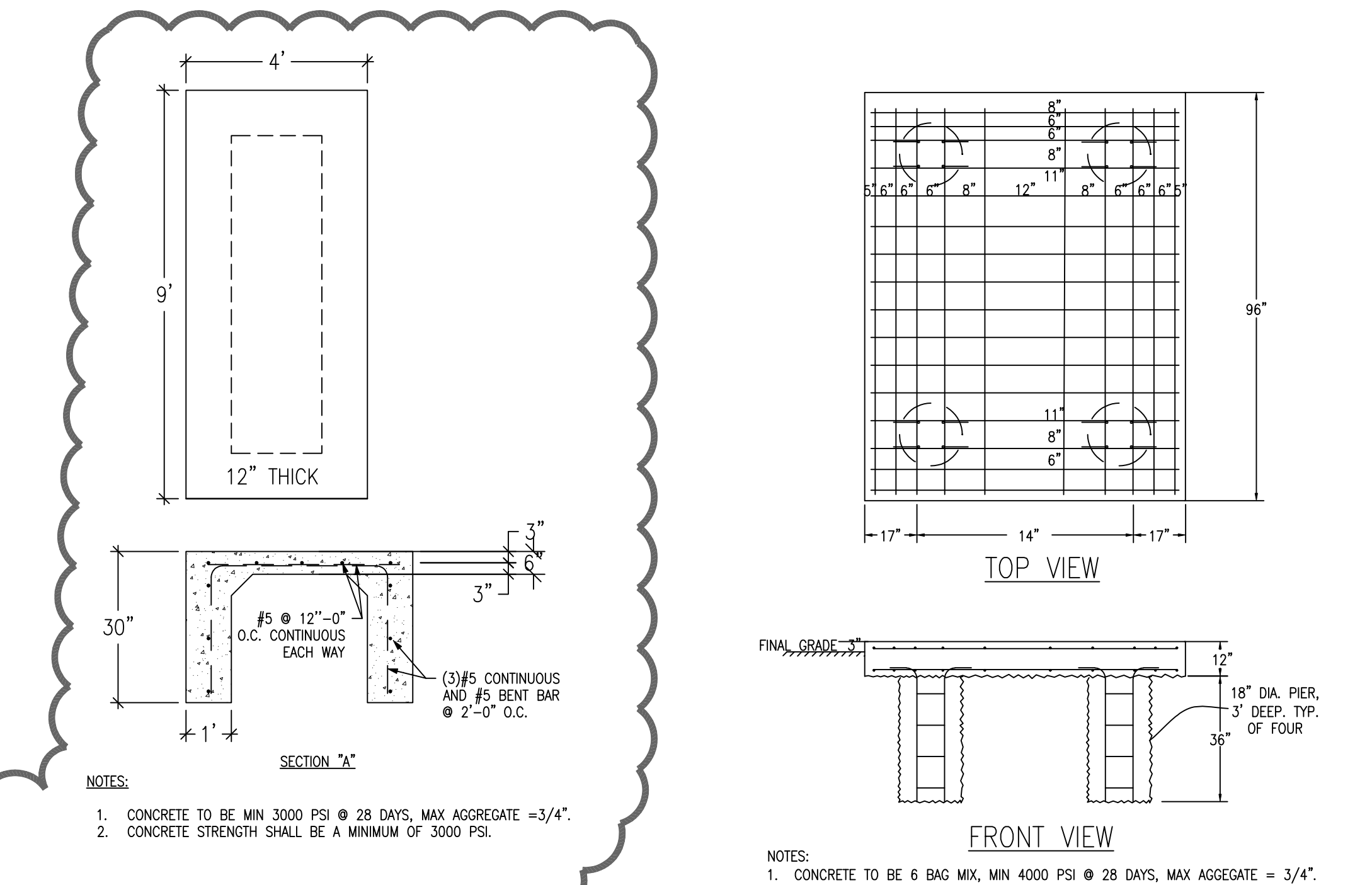
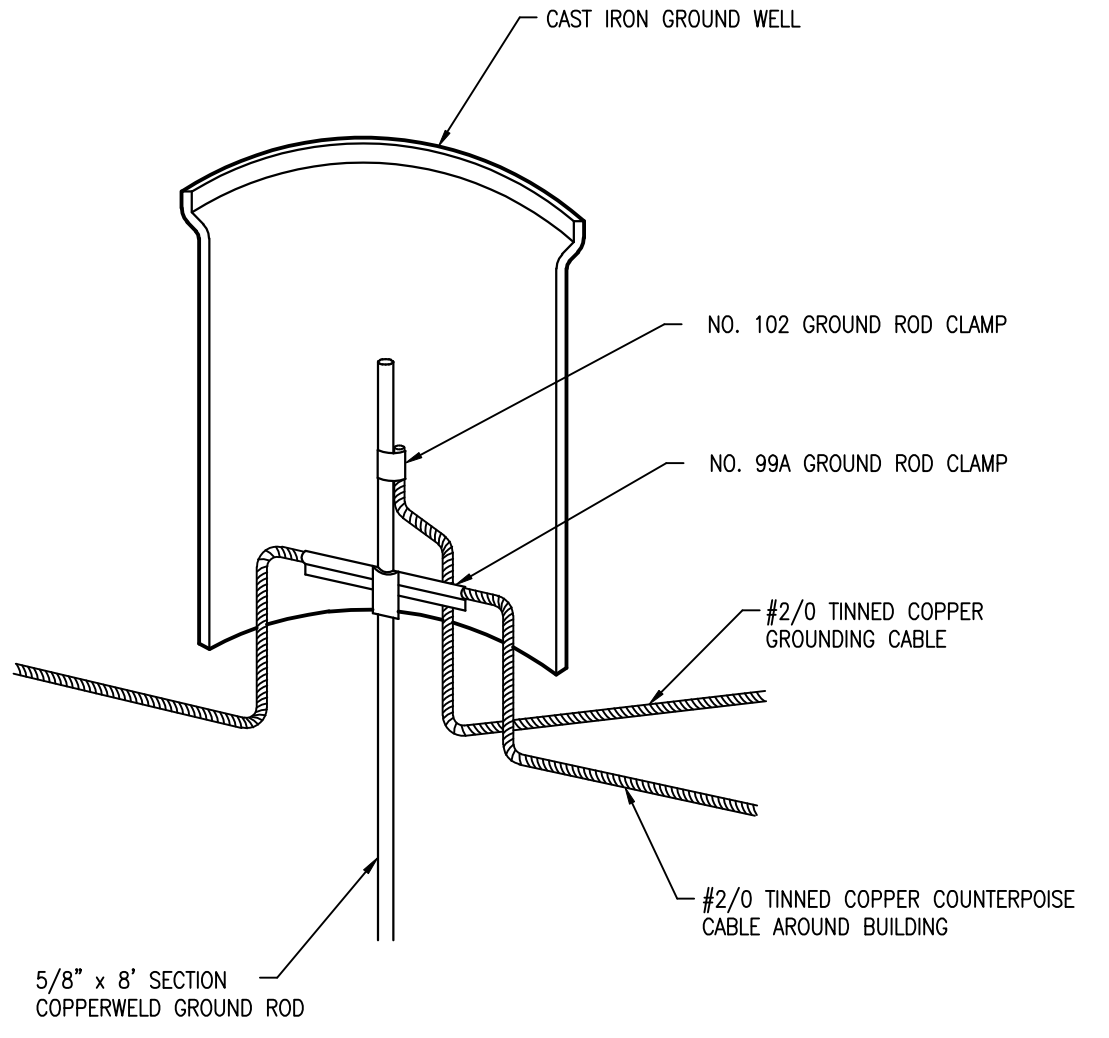


3 ELECTRIC RISER DIAGRAM
 ME1 NOT TO SCALE

- #### GENERAL MECHANICAL-ELECTRICAL SPECIFICATIONS
- ALL WORK SHALL BE DONE IN STRICT CONFORMANCE TO THE BUILDING CODES OF THE CITY OF COLUMBIA, MO.
 - ALL MATERIALS SHALL BE NEW, FIRST CLASS, AND INSTALLED TO MANUFACTURER'S WRITTEN SPECIFICATIONS.
 - ALL SYSTEMS SHALL BE COMPLETE AND OPERABLE IN EVERY WAY.
 - DO ALL EXCAVATION, BACKFILLING, CUTTING, PATCHING, OFFSETTING, ADJUSTING AND BALANCING AS REQUIRED TO COMPLETE THE JOB.
 - SPECIFIC MODELS ARE SPECIFIED TO ESTABLISH QUALITY ONLY. ENGINEER'S DECISION SHALL BE FINAL ON ALL MATERIAL SELECTIONS OR SUBSTITUTIONS.
 - MAINTAIN SAFETY SIGNS AND BARRIERS AS REQUIRED TO ASSURE SAFE WORKING CONDITIONS.
 - GUARANTEE ALL WORKMANSHIP AND MATERIALS FOR ONE YEAR FROM FINAL ACCEPTANCE.
 - EACH CONTRACTOR SHALL BE RESPONSIBLE FOR CLEANING UP HIS OWN DEBRIS.
 - CONTRACTOR SHALL NOT BE RESPONSIBLE FOR PROPER OPERATION OF OWNER-FURNISHED MATERIALS.
 - INSPECT JOB SITE PRIOR TO BIDDING TO DETERMINE EXACT JOB REQUIREMENTS.
- #### PLUMBING SPECIFICATIONS
- SEE GENERAL MECHANICAL-ELECTRICAL SPECIFICATIONS.
 - BAS PIPING ABOVE OR BELOW GRADE SHALL BE COPPER TUBING OR MEDIUM DENSITY POLYETHYLENE DRISCOPEPE 6500 OR EQUAL.

- #### ELECTRICAL SPECIFICATIONS
- SEE GENERAL MECHANICAL-ELECTRICAL SPECIFICATIONS.
 - ALL CONDUCTORS SHALL BE COPPER MINIMUM #12 OR LARGER AS REQUIRED OR SHOWN.
 - ALL EQUIPMENT SHALL BE RATED FOR 75° C. CONDUCTORS.
 - ALL SERVICE WIRING, WIRING EXPOSED TO WEATHER, OR WIRING BELOW GRADE, SHALL BE IN RIGID GALVANIZED CONDUIT OR SCH 40 PVC.
 - ALL WIRING IN NONFIRE-RATED CONSTRUCTION MAY BE NON-METALLIC SHEATHED CABLE (ROMEX).
 - ALL OTHER WIRING SHALL BE IN EMT OR MC CABLE.
 - WALL SWITCHES SHALL BE LEVITON #1120 SERIES, OR APPROVED EQUAL, 20A.
 - DUPLEX CONVENIENCE RECEPTACLES SHALL BE LEVITON #5362 SERIES, OR APPROVED EQUAL, 20A, GROUNDING TYPE GROUND FAULT RECEPTACLES SHALL BE LEVITON #7899-LW SERIES. USE SIDEWIRING ONLY, NOT BACKWIRING.
 - SPECIAL OUTLETS SHALL BE AS REQUIRED OR SHOWN ON DRAWINGS, COMPLETE WITH COVER PLATE.
 - THE ENTIRE SYSTEM SHALL BE ELECTRICALLY CONTINUOUS AND PROPERLY GROUNDING. EVERY FEEDER AND BRANCH CONDUIT SHALL HAVE CODE SIZED GREEN INSULATED GROUND CONDUCTOR.
 - FURNISH AND INSTALL ALL LIGHTING FIXTURES, LAMPS, FUSES, BREAKERS, ETC. TO COMPLETE THE BRANCH CIRCUITS INDICATED.
 - ALL 120V, 20A LIGHTING AND RECEPTACLE CIRCUITS REQUIRING MORE THAN 100' OF CONDUCTORS (ONE WAY) SHALL BE #10 CONDUCTORS.

2 GROUND WELL
 ME1 NO SCALE



1 SITE PLAN FINAL CONFIGURATION
 ME1 SCALE: 1/4" = 1'-0"

T:\job\15171\15171.dwg, 10/20/2015 8:07:38 AM, AdamR